

The IK-72W series is used for straight welding in horizontal and vertical positions using 1 dimensional rail and curved and twisted plane welding using 2 and 3 dimensional rails. By using same rail system as the cutting machine IK-72T, cutting and welding can be done with IK-72 system in convenient and lightweight package.

WU-5R Weaving Unit (Option for IK-72W Standard with IK-72W WEAVING model)

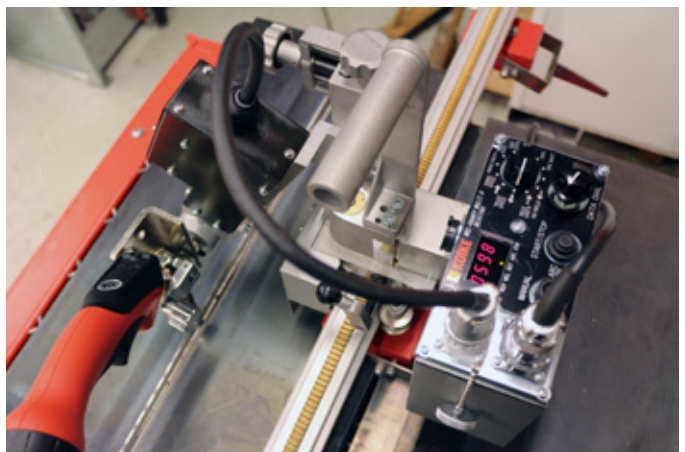
Option for IK-72W to perform weaving welding. Includes mounting bracket. Weaving is controlled by encoder motor.

Weaving speed (*) : 400 - 1500 mm/min

Weaving widths:(*) : 0 - 100 mm/min

Stop timer (left/center/right) : 0.0 - 10.0 seconds

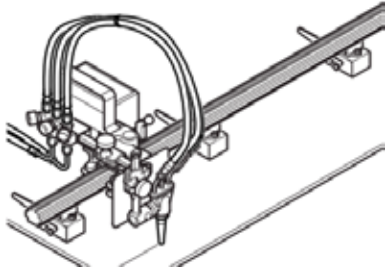
(*) at radius=100mm from the center of rotation



Accessories

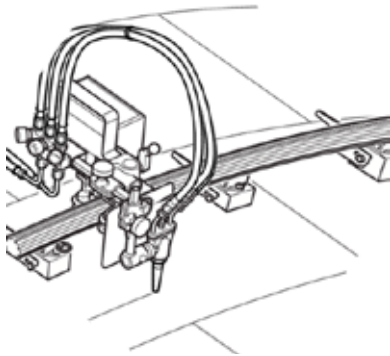
Rail selections

Accessory	Stock #
IK-72T 1D-RAIL 1500 MM	TBPJ64025
IK-72T 2D-RAIL 1000 MM	90154
IK-72T 3D-RAIL 1000 MM	TBPJ64026



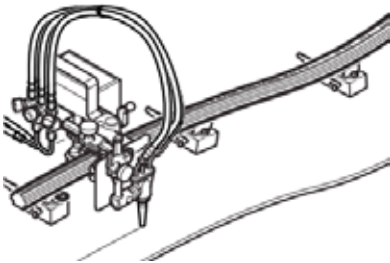
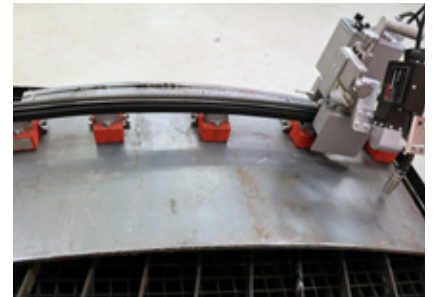
1D Rail 1500 mm

- For flat plate
- Extendable aluminium made straight rail
- Ideal for straight welding applications
- 4 pcs. permanent magnets



2D Rail 1000 mm

- For bended plane
- Extendable flexible rubber rail with steel plate liner; maximum bending radius 2500 mm
- 5 pcs. permanent magnets
- Upto 30° slope from horizontal position



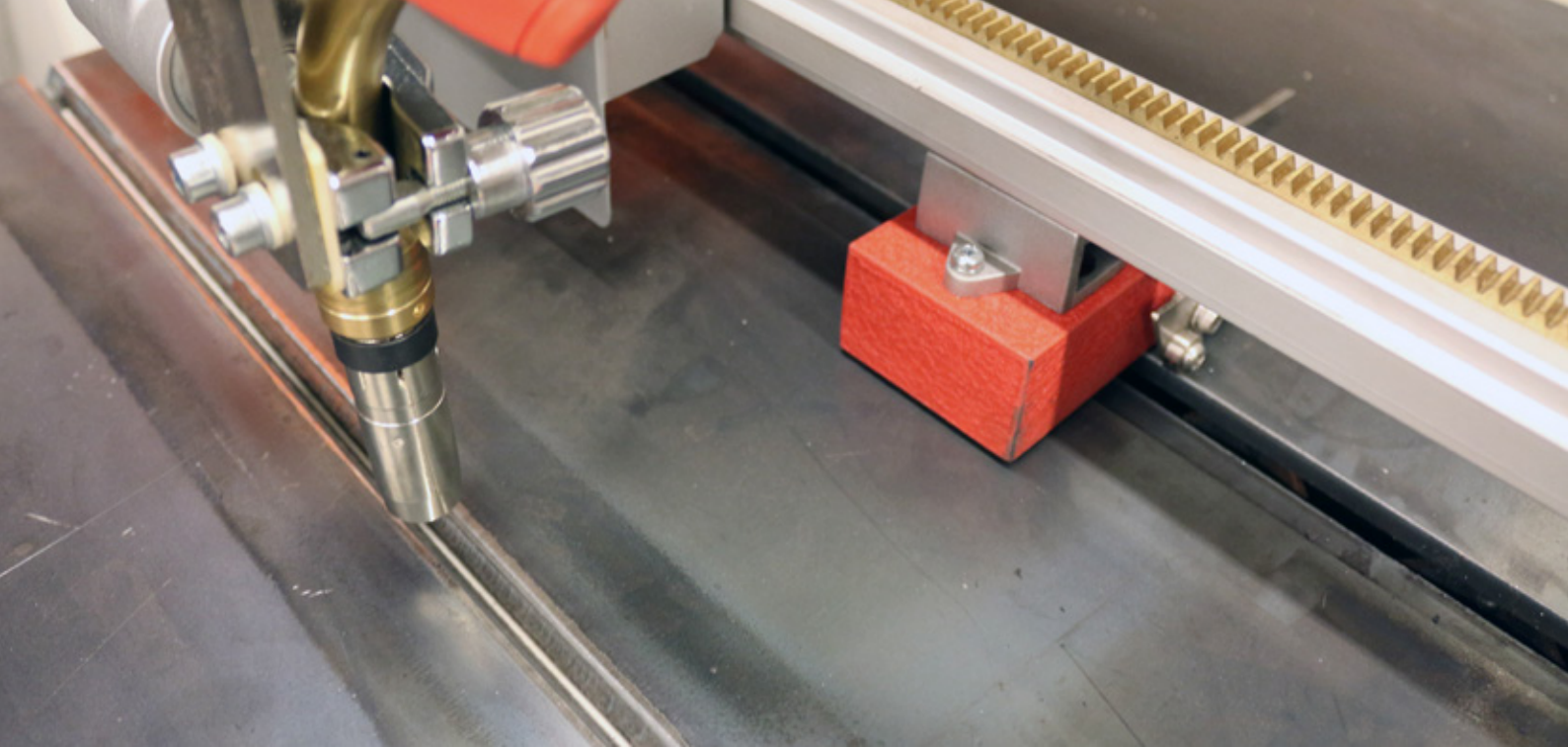
3D Rail 1000 mm

- For bended and twisted planes
- Extendable flexible rubber rail; bends in any directions
- Maximum bending radius 2000 mm
- 5 pcs. permanent magnets
- Upto 30° slope from horizontal position



Optional accessories

Accessory	Stock #	Description
Rail connector	33107	Parts to connect 1D rail to 2D / 3D rail
Transformer PR 100-240V-SEC 24V 65W	222.002.256	Primary 100-240V / Secondary DC 24V
Weaving unit WU-5R	90255	



Specification		IK-72W	IK-72W WEAVING
Machine weight		5.5 kg	7.6 kg
Travel speed		20-600 mm/min	
Guiding method		IK-72 rail system	
Driving method		Rack and pinion	
Torch adjustment:	Up / down	45 mm	
	Forward / backward	45 mm	
Torch holder diameter		16 ~ 20 mm	
Automatic stop function		Limit switch on each end of carriage	
Weaving unit WU-5R		-	Included
Welding method:	Continuous	Yes	Yes
	Tack / stitch	Yes	Yes
	Weaving / Oscillation	Optional	Standard
Power & signal cable		Power and signal cable integrated Y-branch cable (Carriage-branch: 6 m, branch-power: 10 m branch-feeder: 0.5 m)	
Torch holder diameter		16-20 mm	
Position adjustment by limit switch		Yes	
Encoder motor for precise speed control		Yes	
Digital display		Yes	
Crater fill function		Yes	
Input power		DC 24V	

Types	
Model	Stock #
IK-72W	90250
IK-72W Weaving	90251

Scope of delivery
Machine body
Power & signal cable
Rail mounting bracket for limit switch (2pcs)
Allen keys (2pcs)
Operation manual

