

# WEL-HANDY MINI STRONG

## Compact Welding Carriage for Continuous Welding

### Features and Benefits

- Compact, portable design
- Constant speed by motor feedback control
- Strong 35 kg permanent magnet and traction power
- Overload detection function
- Carriage positioning by limit switch
- Widely adjustable guide roller positions
- Lifting handle with magnet detachment mechanism
- Digital display for welding repeatability
- Limit switches on both sides of the machine
- Designed for continuous welding

### Advanced control with simple operation

#### Constant speed control by motor feedback (Servo driver)

The controller on Wel-Handy Mini Strong adopted advanced motor feedback control with servo driver, which maintains constant carriage traveling speed under any load(\*). Changes in load, either from weight of welding torch lead or welding positions will not slow down the carriage. Wel-Handy Mini Strong provides constant, high quality welds from the beginning to the end.

#### Overload detection function

When excessive load is given to the carriage, Wel-Handy Mini Strong stops traveling and stops welding arc automatically.

#### ■ Increased reliability

Greatly reduces chance of machine components breakage from excessive load.

#### ■ Minimizes material damage by automatic arc OFF

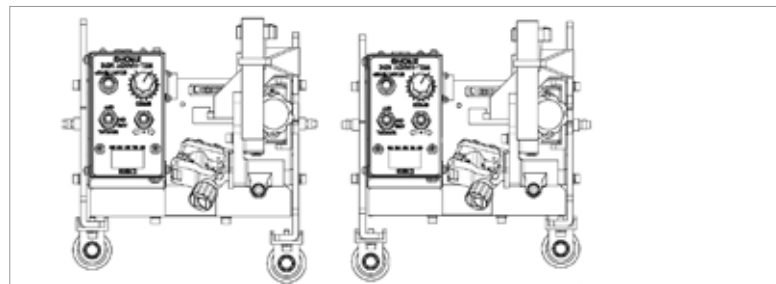
Avoids further damage to the welding work piece, making it easier to restart.



The Wel-Handy Mini Strong is a compact design welding carriage designed to perform horizontal, vertical, and overhang welding. A 35 kg magnet and 16 kg traction power provides reliable performance and quality welds. The machine is easily carried around with the handle with magnet detachment mechanism.

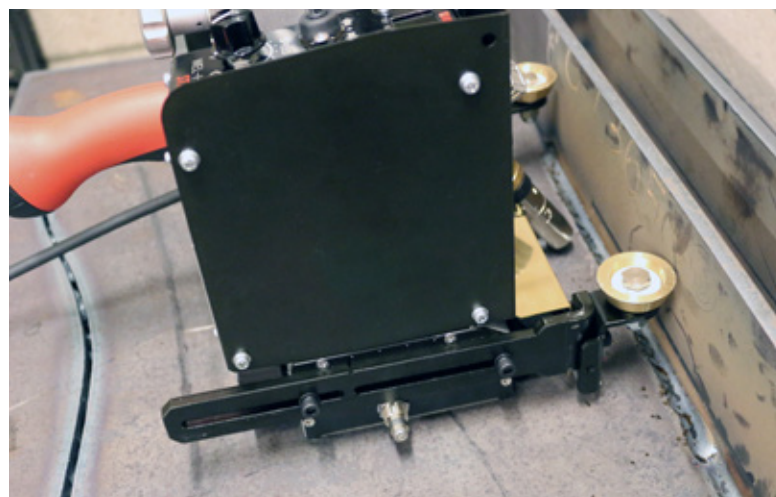
### Carriage position adjustment without lifting

Repositions the carriage without the need of lifting. Machine travels when limit switch is being pressed. Precise starting position adjustment can be done in much easier way.



### Automatic stop by limit switch

The Wel-Handy Mini Strong is equipped with limit switches on both ends of the machine. When a limit switch is pressed during welding, the machine stops traveling and the arc turns off automatically. Simultaneous welding operation can be done easily with the Wel-Handy Mini Strong.



## Mechanical components

### Ergonomic design



- **Lifting handle with magnet detachment mechanism**  
Pulling the handle detaches the magnet in single action.
- **Large torch adjustment knob**  
Allows fine tuning of torch position with welding gloves.
- **Tool-free torch clamp**  
Torch can be mounted to the machine without any tools.

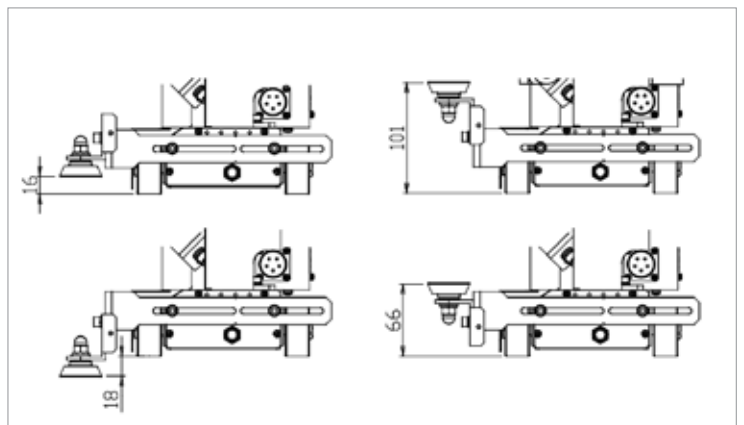


### Strong permanent magnet power (35 kg)

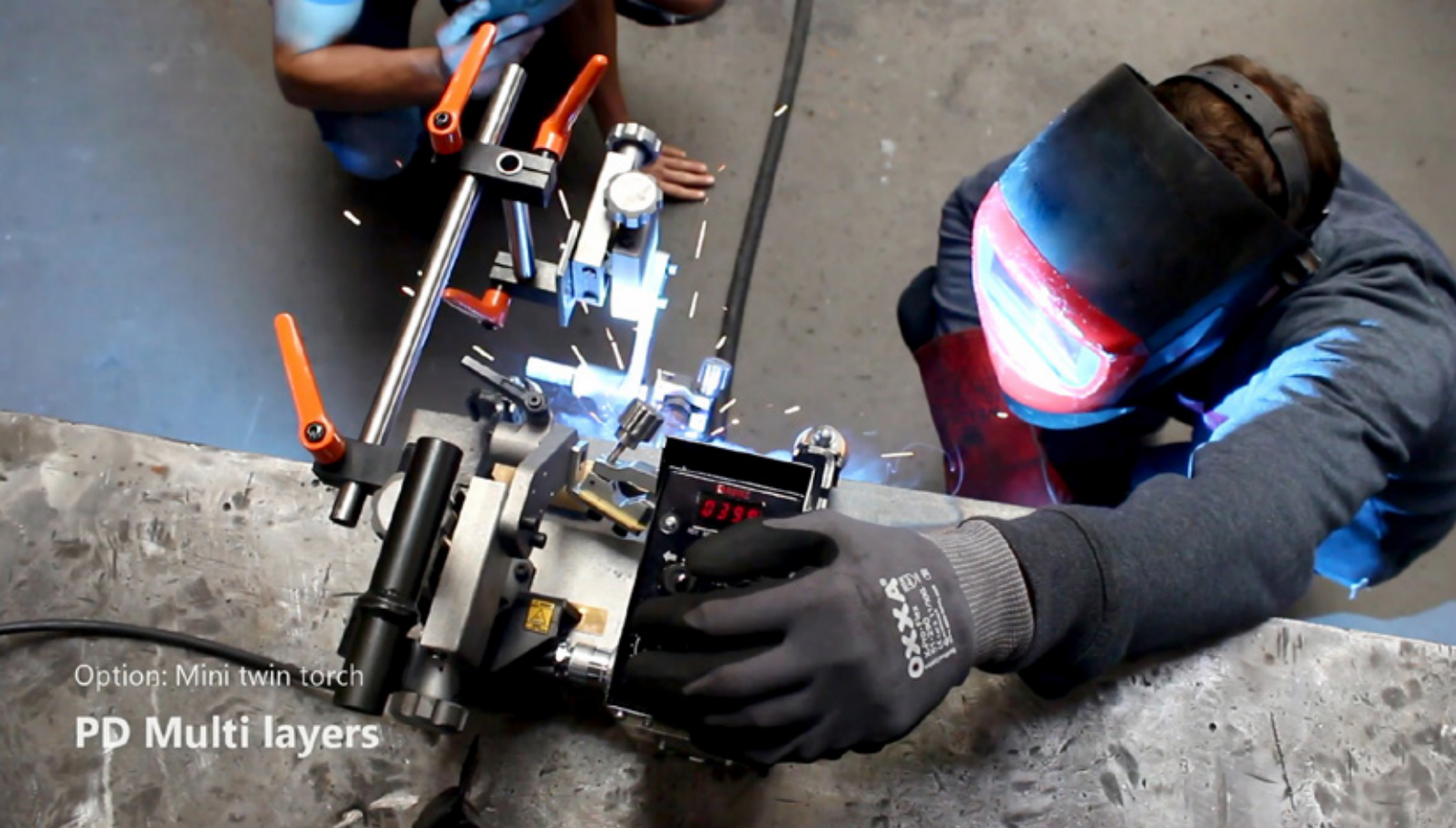
- Enables the Wel-Handy Mini Strong to weld in vertical and overhang welding positions.

### Widely adjustable guide roller positions

- Flexible guide roller height adjustment.
- Guide roller can be flipped over to position on the back.







Option: Mini twin torch  
**PD Multi layers**

### Optional accessories

Accessory	Stock #	Description
Transformer PR 100-240V-SEC 24V 65W	222.002.256	AC100-240V / DC 24V
Mini twin torch option	90260	For fillet height <160 mm

### Specification

#### Wel-Handy Mini Strong

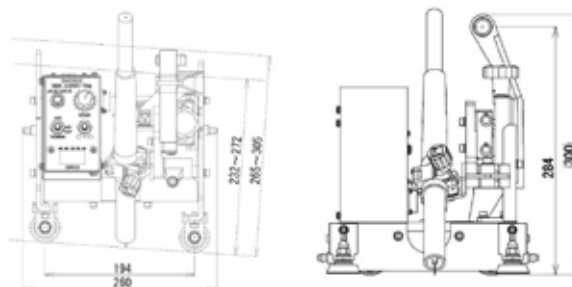
Machine weight	8.2 kg
Traction force	16 kg
Travel speed	100 - 1000 mm/min
Guiding system	Fillet tracking guide roller
Stand off (plate to base plate)	5.5 mm
Magnet detachment mechanism	Lifting handle integrated
Driving method	4-wheel driving rubber roller (chain transmission)
Magnet type	35 kg permanent magnet
Torch adjustment:	
Torch angle	40 ~ 55°
Up / down	45 mm
Forward / backward	45 mm
Automatic stop functions	Limit switch on each of carriage
Unwelded lengths (start & end total)	Approx. 260 mm
Welding method	Continuous welding
Power & signal cable	Power and signal integrated Y-branch cable
Torch holder diameter	16 ~20 mm
Input power	DC 24V

### Types

Model	Stock #
Wel-Handy Mini Strong	90240

### Scope of delivery

- Machine body
- Power & signal cable
- Allen keys (2 pcs)
- Operation manual





## EMEA Sales and Service Offices

### FRANCE

KOIKE France S.A.R.L.  
ZAC de la Vallée de L'aunelle  
RN Cellules C1 à C4  
59144 Wargnies-Le-Grand  
T: +33 327304343

### GERMANY

KOIKE EUROPE B.V. Germany Branch Office  
Im Löchel 2  
35423 Lich-Eberstadt  
T: +49 6004916930

### ITALY

KOIKE ITALIA Srl  
Via Papa Giovanni XXIII, n 45  
20053 - Rodano (Milano)  
T: +39 0295328717

### UAE

KOIKE MIDDLE EAST FZE  
SAIF Zone Sharjah - UAE  
P.O. Box 122978  
T: +971 561177615

### THE NETHERLANDS

KOIKE EUROPE B.V.  
Grote Tocht 19  
1507 CG Zaandam

T: +31 (0)75 612 72 27  
F: +31 (0)75 612 34 61

info@koike-europe.com  
www.koike-europe.com

# RAM